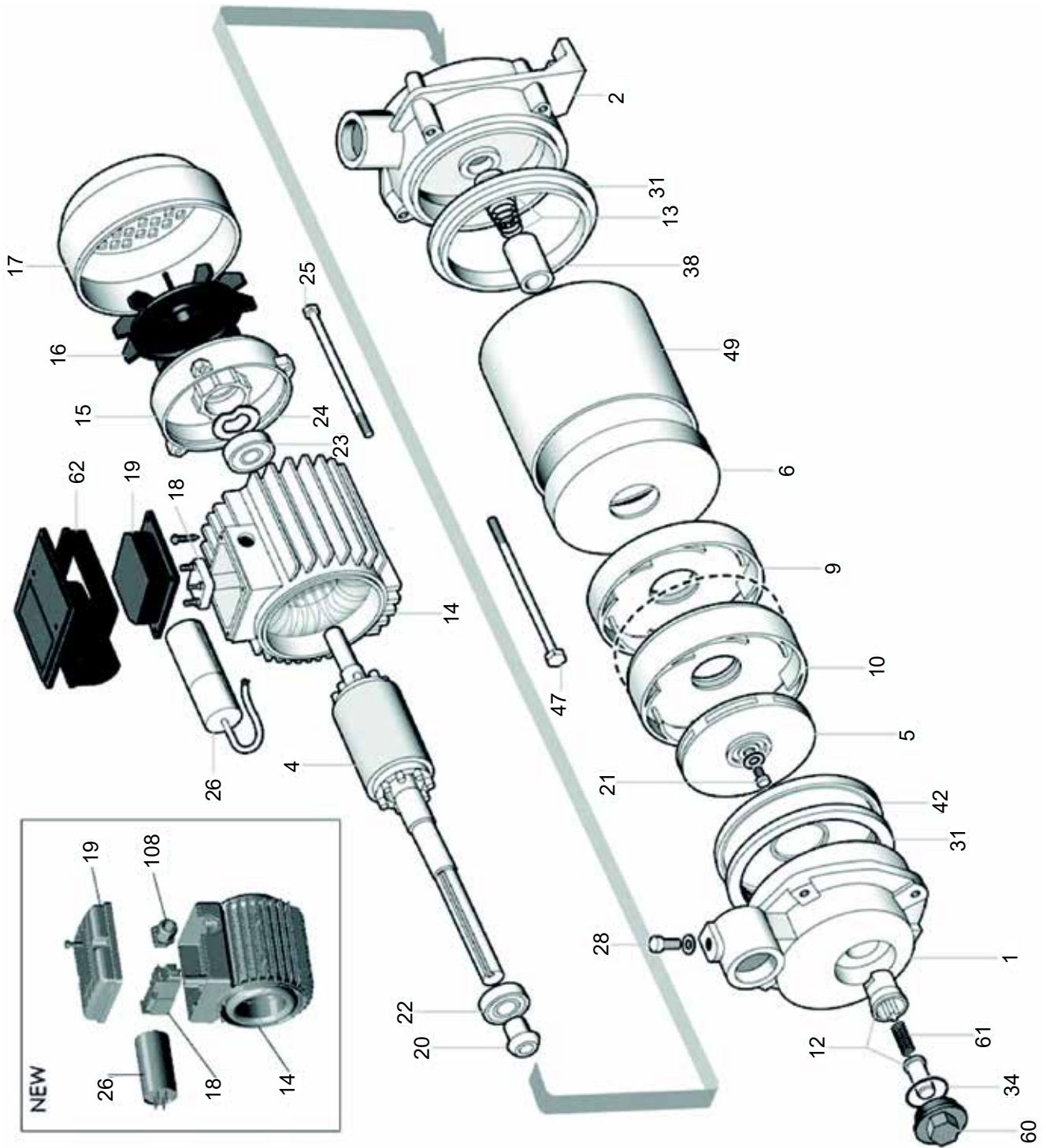


## Ersatzteile

11

### Pumpe MPA



## Ersatzteile

## Pumpe MPA

Nr.	Bezeichnung	MP 80/3 A		MP 100/4 A		MP 120/5 A	
		Art.-Nr.:	€/St.	Art.-Nr.:	€/St.	Art.-Nr.:	€/St.
1	Pumpenkopf/Gehäuse	95.0001.12 S70017044		95.0001.12 S70017044		95.0001.12 S70017044	
2	Flansch	95.0002.12 S70046018		95.0002.12 S70046018		95.0002.12 S70046018	
4	Welle 230 Volt	95.0004.12 S75405042A		95.0004.13 S75405043		95.0004.14 S75405049A	
4	Welle 380 Volt	95.0004.12 S75405042A		95.0004.13 S75405043		95.1004.14 S75405049	
5	Laufgrad Noryl	95.0005.08 M72527036		95.0005.08 M72527036		95.0005.08 M72527036	
6	Laufgradschutzdeckel hinten	95.0006.12 M72519006		95.0006.12 M72519006		95.0006.12 M72519006	
9	Laufgradschutz hinten	95.0009.12 M72519010		95.0009.12 M72519010		95.0009.12 M72519010	
10	Laufgradschutz vorne	95.0010.08 M72519011		95.0010.08 M72519011		95.0010.08 M72519011	
12	Düse	95.0012.12 M72521012		95.0012.12 M72521012		95.0012.12 M72521012	
13	Gleitringdichtung	95.0013.12 M60400032/3		95.0013.12 M60400032/3		95.0013.12 M60400032/3	
14	Wicklung Wechselstrom -neu -	95.0014.12n S57900007F		95.2014.01n S57900012F		95.0014.08n S57900098F	
14	Wicklung Drehstrom -neu -	95.1014.12n S57900008F		95.1014.13n S57900147F		95.1014.13n S57900147F	
15	Motorplatte	95.0015.01 S70214001		95.0015.01 S70214001		95.0015.01 S70214001	
16	Lüfterrad	95.0016.01 M60100016		95.0016.01 M60100016		95.0016.01 M60100016	
17	Lüfterraddeckel	95.0017.01 M60200021		95.0017.01 M60200021		95.0017.01 M60200021	
18	Klemmleiste (230 Volt) - alt -	95.0018.16 M61100008				95.0018.16 M61100008	
18	Klemmleiste (230 Volt) -neu -	95.0018.01n M61101000		95.0018.01n M61101000		95.0018.01n M61101000	
18	Klemmleiste (400 Volt)	95.1018.01 M61100001		95.1018.01 M61100001		95.1018.01 M61100001	
19	Klemmdeckel (Drehstrom) - alt -	95.0019.01 M62700000				95.0019.01 M62700000	
19	Klemmdeckel (230 Volt + 400 Volt) - neu -	95.0019.01n M62700036P-A		95.0019.01n M62700036P-A		95.0019.01n M62700036P-A	
20	Spritzring	95.0020.01 M72606003		95.0020.01 M72606003		95.0020.01 M72606003	
21	Schraube	95.0021.08 M60500189		95.0021.08 M60500189		95.0021.08 M60500189	
22	Kugellager Pumpe	95.0022.12 M60300022		95.0022.12 M60300022		95.0022.12 M60300022	
23	Kugellager Lüfterrad	95.0022.01 M60300001		95.0022.01 M60300001		95.0022.01 M60300001	
24	Alu-Springring	95.0024.01 M60603001		95.0024.01 M60603001		95.0024.01 M60603001	
25	Motorstange	95.0025.01 M75450002		95.0025.01 M75450002		95.0025.01 M75450002	
26	Kondensator - alt -	95.0026.12 (14 µF) M61400003				95.0026.01 (20 µF) M61400005	
26	Kondensator - neu -	95.0026.12n (14 µF) M61400003F		95.0026.01n (20 µF) M61400005F		95.0026.01n (20 µF) M61400005F	
28-29	Einfüllstopfen	95.0028.12 M75147001		95.0028.12 M75147001		95.0028.12 M75147001	
31	O-Ring-Dichtung	95.0031.12 M60900016		95.0031.12 M60900016		95.0031.12 M60900016	
34	Dichtung Stopfen	95.0032.12 M60900018		95.0032.12 M60900018		95.0032.12 M60900018	
38	Distanzstück	95.0038.12 M72503007		95.0038.12 M72503007		95.0038.12 M72503007	
42	Deckel	95.0042.12 M72514016		95.0042.12 M72514016		95.0042.12 M72514016	
47	Stange Laufgradschutz	95.0047.12 M75450016		95.0047.13 M75450021		95.0047.14 M75450005	
49	Edelstahlummantelung	95.0049.12 M71401007		95.0049.13 M71401008		95.0049.14 M71401009	
60	Stopfen	95.0060.12 M72503006		95.0060.12 M72503006		95.0060.12 M72503006	
61	Feder	95.0061.12 M61500008		95.0061.12 M61500008		95.0061.12 M61500008	
62	Kondensator-Klemmkasten (Wechselstrom) - alt -	95.0062.12 M62700012PA		95.0062.12 M62700012PA		95.0062.12 M62700012PA	
108	Kabeldurchführung	95.0108.01 M60701101		95.0108.01 M60701101		95.0108.01 M60701101	