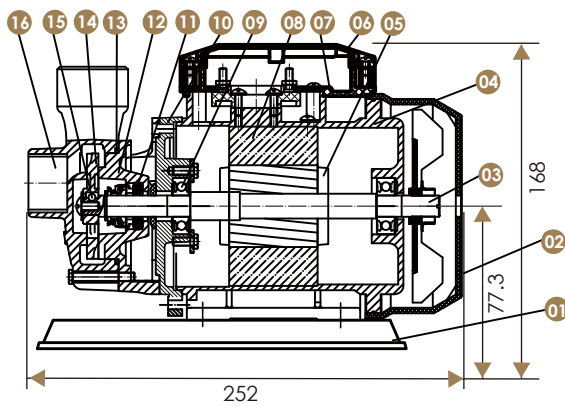


GPA-90

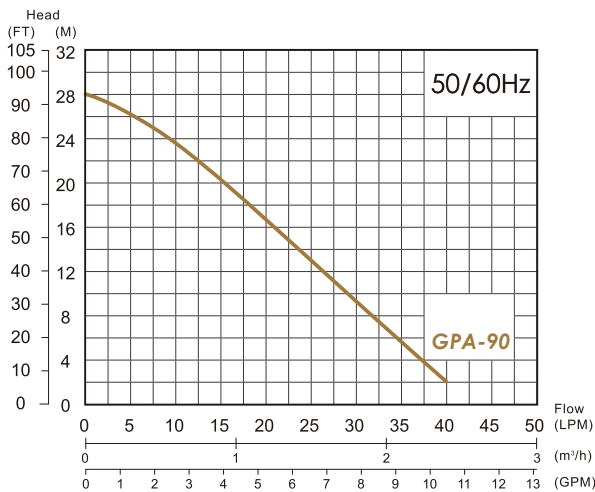


Pumpengehäuse
Edelstahl
Edelstahl-Laufrad

GPA-90



(GPA-90)					
No.	Beschreibung	Material	No	Beschreibung	Mat.
1	Base	PP+GF	9	Kugellager	CNM5K
2	Lüfterraddeckel	PP(ST-031)	10	Kugellager	FC200
3	Welle	SUS410	11	Gleitringdichtung	CA/CE
4	Motorgehäuse	Aluminum	12	Seal Plate	SUS304
5	Rotor	Silicon Steel	13	O-Ring	NBR
6	Capacitor Upper Cover	PP+UV	14	Laufrad	SUS304
7	Capacitor Lower Cover	PP+UV	15	Key	SUS304
8	Wicklung	Silicon Steel	16	Gehäuse	SUS304



Specification

Model No.	Power		Outlet		Max Flow (LPM)	LPM Flow @ Head					Max Head (M)	Dimension	Weight
	HP	W	mm	inch		5M	10M	15M	20M	25M		L x W x H (mm)	
GPA-90	1/4	200	25	1"	40	36	29	22	15	8	28	252 x 170 x 168	6.5