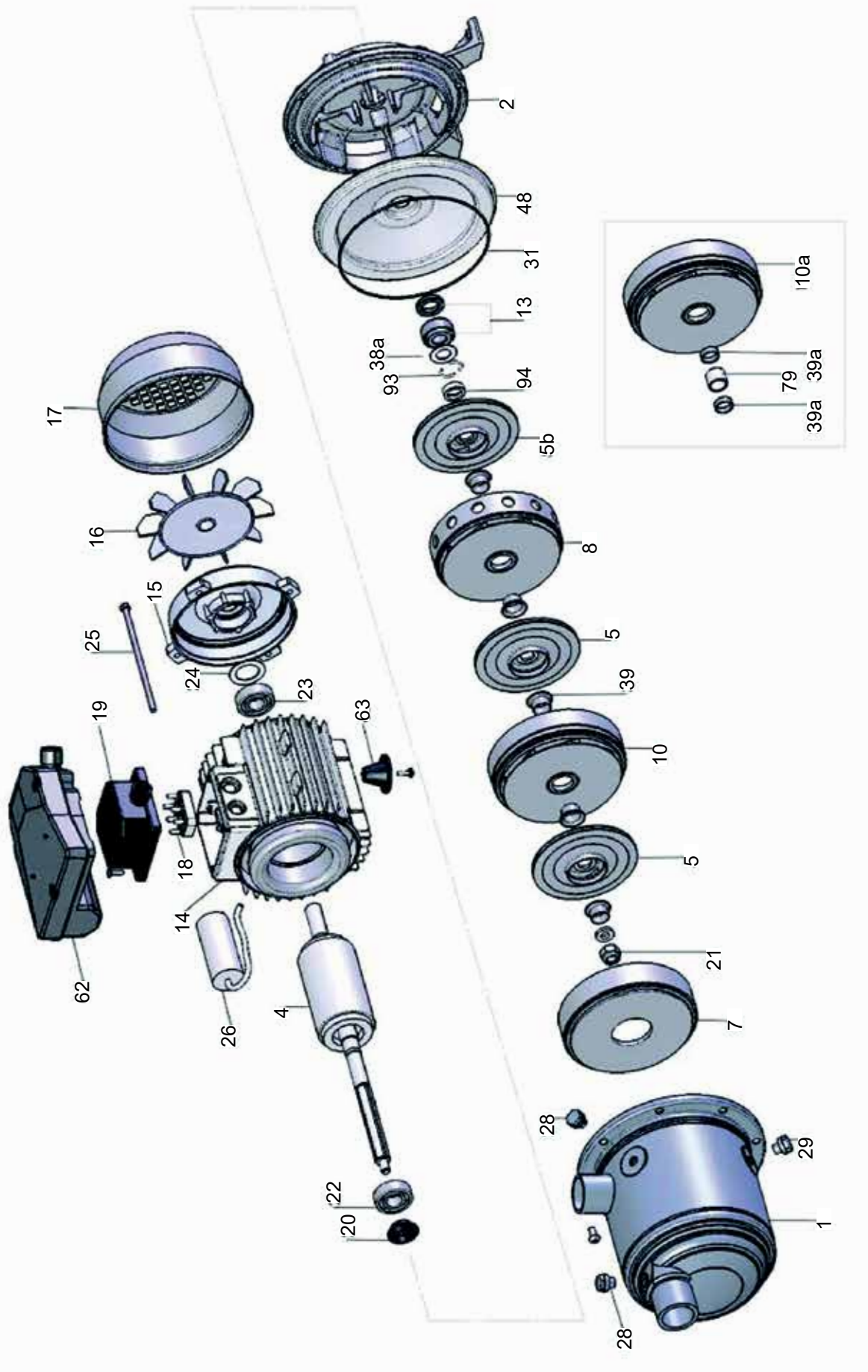


## Ersatzteile

11

### Pumpe Ultra S



Ersatzteile

Pumpe Ultra 3 S / Ultra 5 S

Nr.	Bezeichnung	U 3 S 50/2		U 3 S 90/4		U 3 S 100/5		U 5 S 70/2		U 5 S 120/4	
		Art.-Nr.:	€/St.	Art.-Nr.:	€/St.	Art.-Nr.:	€/St.	Art.-Nr.:	€/St.	Art.-Nr.:	€/St.
1	Pumpenkopf/Gehäuse	95.0001.24 S61410005		95.0001.25 S61410006		95.0001.26 S61410007		95.0001.24 S61410005		95.0001.25 S61410006	
2	Flansch	95.0002.24 S70246035		95.0002.24 S70246035		95.0002.26 S70246036		95.0002.24 S70246035		95.0002.26 S70246036	
4	Welle 230 Volt	95.0004.24 S75405100B		95.0004.25 S75405102A		95.0004.26 S75405110A		95.0004.27 S75405100A		95.0004.40 S75405114A	
4	Welle 380 Volt	95.0004.24 S75405100B		95.0004.25 S75405102A		95.0004.26 S75405110A		95.0004.27 S75405100A		95.0004.40 S75405114A	
5	Laufgrad	95.0005.24 M31427151		95.0005.24 M31427151		95.0005.24 M31427151		95.0005.40 M31427152		95.0005.40 M31427152	
7	Laufgradschutzdeckel	95.0007.24 M31419031		95.0007.24 M31419031		95.0007.24 M31419031		95.0007.24 M31419031		95.0007.24 M31419031	
8	Laufgradschutz hinten	95.0008.24 M31419032		95.0008.24 M31419032		95.0008.24 M31419032		95.0008.24 M31419032		95.0008.24 M31419032	
10	Laufgradschutz vorne	-		95.0010.25 M31419030		95.0010.25 M31419030		-		95.0010.25 M31419030	
13	Gleitringdichtung	95.0013.24 M60400045/6		95.0013.24 M60400045/6		95.0013.24 M60400045/6		95.0013.24 M60400045/6		95.0013.24 M60400045/6	
14	Wicklung Wechselstrom -neu -	95.0014.24n S57900275F		95.0014.25n S57900322AF		95.2014.01n S5790012F		95.0014.65n S5790002F		95.0014.08n S57900098F	
14	Wicklung Drehstrom -neu -	95.1014.24n S57900282F		95.1014.25n S57900173F		95.1014.13n S57900147F		95.1014.65n S57900003F		95.1014.40n S57900175F	
15	Motorcappe	95.0015.02 S70214014		95.0015.02 S70214014		95.0015.01 S70214001		95.0015.02 S70214014		95.0015.01 S70214001	
16	Lüfterrad	95.0016.02 M60100000		95.0016.02 M60100000		95.0016.01 M60100001		95.0016.02 M60100000		95.0016.01 M60100001	
17	Lüfterraddeckel	95.0017.02 M60200020		95.0017.02 M60200020		95.0017.01 M60200021		95.0017.02 M60200020		95.0017.01 M60200021	
18	Klemmleiste (230 Volt)	95.0018.19 M61100007		95.0018.19 M61100007		95.0018.19 M61100007		95.0018.19 M61100007		95.0018.19 M61100007	
18	Klemmleiste (230 Volt) - neu -	95.0018.01n M61101000		95.0018.01n M61101000		95.0018.01n M61101000		95.0018.01n M61101000		95.0018.01n M61101000	
18	Klemmleiste (400 Volt)	95.1018.01 M61100001		95.1018.01 M61100001		95.1018.01 M61100001		95.1018.01 M61100001		95.1018.01 M61100001	
19	Klemmk. deckel - neu - (230 + 400 Volt)	95.0019.06 M62700035P-A		95.0019.06 M62700035P-A		95.0019.01n M62700036P-A		95.0019.06 M62700035P-A		95.0019.01n M62700036P-A	
20	Spritzring	95.0020.01 M72606003		95.0020.01 M72606003		95.0020.01 M72606003		95.0020.01 M72606003		95.0020.01 M72606003	
21	Selbstsichernde Mutter	95.0021.24 M60513006		95.0021.24 M60513006		95.0021.24 M60513006		95.0021.24 M60513006		95.0021.24 M60513006	
22	Kugellager Pumpe	95.0022.01 M60300001		95.0022.01 M60300001		95.0022.12 M60300022		95.0022.01 M60300001		95.0022.12 M60300022	
23	Kugellager Lüfterrad	95.0023.02 M60300000		95.0023.02 M60300000		95.0022.01 M60300001		95.0023.02 M60300000		95.0022.01 M60300001	
24	Alu-Springring	95.0024.02 M60603000		95.0024.02 M60603000		95.0024.01 M60603001		95.0024.02 M60603000		95.0024.01 M60603001	
25	Motorstange	95.0025.02 M75450001		95.0025.02 M75450001		95.0025.01 M75450002		95.0025.02 M75450001		95.0025.01 M75450002	
26	Kondensator	95.0026.65 (10 µF) M61400001		95.0026.66 (16 µF) M61400004		95.0026.01 (20 µF) M61400005		95.0026.02 (12,5 µF) M61400002		95.0026.01 (20 µF) M61400005	
26	Kondensator - neu -	95.0026.65n M61400001F - 10µF		95.0026.25 M61400004F - 16µF		95.0026.01n M61400005F		95.0026.02n (12,5 µF) M61400002F		95.0026.01n M61400005F	
28/29	Einfüll- u. Entleer.stopfen	95.0028.05 M31447014		95.0028.05 M31447014		95.0028.05 M31447014		95.0028.05 M31447014		95.0028.05 M31447014	
31	O-Ring-Dichtung	95.0031.24 M60900051		95.0031.24 M60900051		95.0031.24 M60900051		95.0031.24 M60900051		95.0031.24 M60900051	
39	Abstandshalter	95.0039.24 M75118025		95.0039.24 M75118025		95.0039.24 M75118025		95.0039.24 M75118025		95.0039.24 M75118025	
48	Platte	95.0048.24 M31411004		95.0048.24 M31411004		95.0048.24 M31411004		95.0048.24 M31411004		95.0048.24 M31411004	
62	Kondensator-Klemmkasten (Wechselstrom)	95.0062.24 M62700011P-A		95.0062.24 M62700011P-A		95.0062.01 M62700012P-A		95.0062.24 M62700011P-A		95.0062.01 M62700012P-A	
63	Stützfußchen	95.0063.08 M72503012		95.0063.08 M72503012		95.0063.26 M72503015		95.0063.08 M72503012		95.0063.26 M72503015	
93	Haltering (wird 2mal benötigt)	95.0093.24 M60602011		95.0093.24 M60602011		95.0093.24 M60602011		95.0093.24 M60602011		95.0093.24 M60602011	
94	Ring Laufgrad	95.0094.24 M60601011		95.0094.24 M60601011		95.0094.24 M60601011		95.0094.24 M60601011		95.0094.24 M60601011	

!!! Achtung !!!

Die Ersatzteile Nr. 10a, 39a, 39c, 39d und 76 sind nicht für die Pumpen Ultra U3S 50/2, U3S 90/4, U3S 100/5 U5S 70/2 und U5S 150/5 erhältlich!

## Ersatzteile

### Pumpe Ultra 5 S / Ultra 7 S

Nr.	Bezeichnung	U 5 S 150/5		U 5 S 180/6		U 5 S 200/7		U 7 S 100/2		U 7 S 120/3	
		Art.-Nr.:	€/St.	Art.-Nr.:	€/St.	Art.-Nr.:	€/St.	Art.-Nr.:	€/St.	Art.-Nr.:	€/St.
1	Pumpenkopf/Gehäuse	95.0001.26 S61410007		95.0001.29 S61410008		95.0001.30 S61410009		95.0001.38 S61410010		95.0001.38 S61410010	
2	Flansch	95.0002.28 S70246037		95.0002.28 S70246037		95.0002.28 S70246037		95.0002.26 S70246036		95.0002.26 S70246036	
4	Welle 230 Volt	95.0004.28 S75405133C		95.0004.29 S75405131A		95.0004.30 S75405130A		95.0004.32 S75405113A		95.0004.33 S75405115B	
4	Welle 380 Volt	95.0004.28 S75405133C		95.1004.29 S75405131B		95.1004.30 S75405130B		95.0004.32 S75405113A		95.0004.33 S75405115B	
5	Laufgrad	95.0005.40 M31427152		95.0005.40 M31427152		95.0005.40 M31427152		95.0005.31 M31427153		95.0005.31 M31427153	
7	Laufschutzdeckel	95.0007.24 M31419031		95.0007.24 M31419031		95.0007.24 M31419031		95.0007.24 M31419031		95.0007.24 M31419031	
8	Laufschutz hinten	95.0008.24 M31419032		95.0008.24 M31419032		95.0008.24 M31419032		95.0008.24 M31419032		95.0008.24 M31419032	
10	Laufschutz vorne	95.0010.25 M31419030		95.0010.25 M31419030		95.0010.25 M31419030		-		95.0010.25 M31419030	
10a	Laufschutz hinten	-		-		95.1010.30 M31419033		-		-	
13	Gleitringdichtung	95.0013.24 M60400045/6		95.0013.24 M60400045/6		95.0013.30 M60400047/8		95.0013.24 M60400045/6		95.0013.24 M60400045/6	
14	Wicklung Wechselstrom	95.0014.28 S57900279		95.2014.03 S57900014		95.2014.04 S57900017		95.2014.01n S57900012F		95.0014.08n S57900098F	
14	Wicklung Drehstrom	95.3014.03 S57900013		95.3014.03 S57900013		95.3014.04 S57900015		95.1014.13n S57900147F		95.1014.40n S57900175F	
15	Motorkappe	95.0015.03 S70214004		95.0015.03 S70214004		95.0015.03 S70214004		95.0015.01 S70214001		95.0015.01 S70214001	
16	Lüfterrad	95.0016.03 M60100003		95.0016.03 M60100003		95.0016.03 M60100003		95.0016.01 M60100001		95.0016.01 M60100001	
17	Lüfterraddeckel	95.0017.03 M60200022		95.0017.03 M60200022		95.0017.03 M60200022		95.0017.01 M60200021		95.0017.01 M60200021	
18	Klemmleiste (230 Volt)	95.0018.16 M61100008		95.0018.16 M61100008		95.0018.19 M61100007		95.0018.01n M61100000		95.0018.01n M61100000	
18	Klemmleiste (400 Volt)	95.1018.12 M61100003		95.1018.12 M61100003		95.1018.12 M61100003		95.1018.01 M61100001		95.1018.01 M61100001	
19	Klemmkastendeckel (Drehstr.)	95.0019.03 M62700008		95.0019.03 M62700008		95.0019.01 M62700000		95.0019.01n M62700036P-A		95.0019.01n M62700036P-A	
20	Spritzring	95.0020.01 M72606003		95.0020.01 M72606003		95.0020.01 M72606003		95.0020.01 M72606003		95.0020.01 M72606003	
21	Selbstsichernde Mutter	95.0021.24 M60513006		95.0021.24 M60513006		95.0021.24 M60513006		95.0021.24 M60513006		95.0021.24 M60513006	
22	Kugellager Pumpe	95.0022.17 M60300020		95.0022.17 M60300020		95.0022.12 M60300022		95.0022.12 M60300022		95.0022.12 M60300022	
23	Kugellager Lüfterrad	95.0022.03 M60300002		95.0022.03 M60300002		95.0022.01 M60300001		95.0022.01 M60300001		95.0022.01 M60300001	
24	Alu-Springring	95.0024.03 M60603002		95.0024.03 M60603002		95.0024.01 M60603001		95.0024.01 M60603001		95.0024.01 M60603001	
25	Motorstange	95.0025.03 M75450003		95.0025.03 M75450003		95.0025.01 M75450002		95.0025.01 M75450002		95.0025.01 M75450002	
26	Kondensator	95.0026.28 (25 µF) M61400006		95.0026.28 (25 µF) M61400006		95.0026.03 (31,5 µF) M61400007		95.0026.01n M61400005F		95.0026.01n M61400005F	
28/29	Einfüll- u. Entleer.stopfen	95.0028.05 M31447014		95.0028.05 M31447014		95.0028.05 M31447014		95.0028.05 M31447014		95.0028.05 M31447014	
31	O-Ring-Dichtung	95.0031.24 M60900051		95.0031.24 M60900051		95.0031.24 M60900051		95.0031.24 M60900051		95.0031.24 M60900051	
39	Abstandshalter	95.0039.24 M75118025		95.0039.24 M75118025		95.0039.24 M75118025		95.0039.24 M75118025		95.0039.24 M75118025	
39a	Ring	-		-		95.1039.30 M75118030		-		-	
39c	Ring	-		-		-		-		-	
39d	Ring	-		-		-		-		-	
48	Platte	95.0048.24 M31411004		95.0048.24 M31411004		95.0048.24 M31411004		95.0048.24 M31411004		95.0048.24 M31411004	
62	Kondensator-Klemmkasten (Wechselstrom)	95.0062.03 M62700019P-A		95.0062.03 M62700019P-A		95.0062.01 M62700012P-A		95.0062.01 M62700012P-A		95.0062.01 M62700012P-A	
63	Stützfüßchen	95.0063.28 M72503014		95.0063.28 M72503014		95.0063.26 M72503015		95.0063.26 M72503015		95.0063.26 M72503015	
76	Buchse	-		-		95.0078.30 M75150012		-		-	
93	Haltering (wird 2mal benötigt)	95.0093.24 M60602011		95.0093.24 M60602011		95.0093.24 M60602011		95.0093.24 M60602011		95.0093.24 M60602011	
94	Ring Laufgrad	95.0094.24 M60601011		95.0094.24 M60601011		95.0094.24 M60601011		95.0094.24 M60601011		95.0094.24 M60601011	

Ersatzteile

Pumpe Ultra 7 S

Nr.	Bezeichnung	U 7 S 180/4		U 7 S 250/5		U 7 S 300/6		U 7 S 350/7	
		Art.-Nr.:	€/St.	Art.-Nr.:	€/St.	Art.-Nr.:	€/St.	Art.-Nr.:	€/St.
1	Pumpenkopf/Gehäuse	95.0001.39 S61410011		95.0001.31 S61410012		95.0001.32 S61410013		95.0001.33 S61410014	
2	Flansch	95.0002.28 S70246037		95.0002.28 S70246037		95.0002.28 S70246037		95.0002.33 S70246038	
4	Welle 230 Volt	95.0004.34 S75405141A		95.0004.31 S75405133D		-		-	
4	Welle 380 Volt	95.1004.38 S75405141B		95.1004.31 S75405133A		95.1004.32 S75405131C		95.1004.33 S75405156A	
5	Laufgrad	95.0005.31 M31427153		95.0005.31 M31427153		95.0005.31 M31427153		95.0005.31 M31427153	
7	Laufgradschutzdeckel	95.0007.24 M31419031		95.0007.24 M31419031		95.0007.24 M31419031		95.0007.24 M31419031	
8	Laufgradschutz hinten	95.0008.24 M31419032		95.0008.24 M31419032		95.0008.24 M31419032		95.0008.24 M31419032	
10	Laufgradschutz vorne	95.0010.25 M31419030		95.0010.25 M31419030		95.0010.25 M31419030		95.0010.25 M31419030	
10a	Laufgradschutz hinten	-		-		-		95.1010.30 M31419033	
13	Gleitringdichtung	95.0013.24 M60400045/6		95.0013.24 M60400045/6		95.0013.24 M60400045/6		95.0013.30 M60400047/8	
14	Wicklung Wechselstrom	95.2014.03 S57900014		95.2014.07 S57900036		-		-	
14	Wicklung Drehstrom	95.3014.03 S57900013		95.3014.07 S57900016		95.1014.32 S57900327		95.1014.33 S57900233	
15	Motorcappe	95.0015.03 S70214004		95.0015.03 S70214004		95.0015.03 S70214004		95.0015.21 S70214013	
16	Lüfterrad	95.0016.03 M60100003		95.0016.03 M60100003		95.0016.03 M60100003		95.0016.21 M60100008	
17	Lüfterraddeckel	95.0017.03 M60200022		95.0017.03 M60200022		95.0017.03 M60200022		95.0017.21 M60200029	
18	Klemmleiste (230 Volt)	95.0018.16 M61100008		95.0018.16 M61100008		-		-	
18	Klemmleiste (400 Volt)	95.1018.12 M61100003		95.1018.12 M61100003		95.1018.12 M61100003		95.1018.12 M61100003	
19	Klemmkastendeckel (Drehstr.)	95.0019.03 M62700008		95.0019.03 M62700008		95.0019.03 M62700008		95.0019.21 M62700006	
20	Spritzring	95.0020.01 M72606003		95.0020.01 M72606003		95.0020.01 M72606003		95.0020.01 M72606003	
21	Selbstsichernde Mutter	95.0021.24 M60513006		95.0021.24 M60513006		95.0021.24 M60513006		95.0021.24 M60513006	
22	Kugellager Pumpe	95.0022.17 M60300020		95.0022.17 M60300020		95.0022.17 M60300020		95.0022.33 M60300021	
23	Kugellager Lüfterrad	95.0022.03 M60300002		95.0022.03 M60300002		95.0022.03 M60300002		95.0023.21 M60300003	
24	Alu-Springring	95.0024.03 M60603002		95.0024.03 M60603002				95.0024.21 M60603009	
25	Motorstange	95.0025.03 M75450003		95.0025.03 M75450003		95.0025.03 M75450003		95.0025.33 M75450011	
26	Kondensator	95.0026.28 M61400006		95.0026.31 (40 µF) 61400018		-		-	
28/29	Einfüll- u. Entleer.stopfen	95.0028.05 M31447014		95.0028.05 M31447014		95.0028.05 M31447014		95.0028.05 M31447014	
31	O-Ring-Dichtung	95.0031.24 M60900051		95.0031.24 M60900051		95.0031.24 M60900051		95.0031.24 M60900051	
39	Abstandshalter	95.0039.24 M75118025		95.0039.24 M75118025		95.0039.24 M75118025		95.0039.24 M75118025	
39a	Ring	-		-		-		95.1039.30 M75118030	
39c	Ring	-		-		-		-	
39d	Ring	-		-		-		-	
48	Platte	95.0048.24 M31411004		95.0048.24 M31411004		95.0048.24 M31411004		95.0048.24 M31411004	
62	Kondensator-Klemmkasten (Wechselstrom)	95.0062.03 M62700019P-A		95.0062.03 M62700019P-A		-		-	
63	Stützfüßchen	95.0063.28 M72503014		95.0063.28 M72503014		95.0063.28 M72503014		95.0063.28 M72503014	
76	Buchse	-		-		-		95.0078.30 M75150012	
93	Haltering (wird 2mal benötigt)	95.0093.24 M60602011		95.0093.24 M60602011		95.0093.24 M60602011		95.0093.24 M60602011	
94	Ring Laufgrad	95.0094.24 M60601011		95.0094.24 M60601011		95.0094.24 M60601011		95.0094.24 M60601011	

## Ersatzteile

### Pumpe Ultra 9 S / Ultra 18 S

Nr.	Bezeichnung	U 9 S 200/4		U 9 S 250/5		U 18 S 250/3		U 18 S 400/4	
		Art.-Nr.:	€/St.	Art.-Nr.:	€/St.	Art.-Nr.:	€/St.	Art.-Nr.:	€/St.
1	Pumpenkopf/Gehäuse	95.0001.34 S61410016		95.0001.35 S61410017		95.0001.36 S61410018		95.0001.37 S61410019	
2	Flansch	95.0002.28 S70246037		95.0002.28 S70246037		95.0002.28 S70246037		95.0002.33 S70246038	
4	Welle 230 Volt	95.1004.31 S75405133A		95.0004.35 S75405134A		-		-	
4	Welle 380 Volt	95.1004.34 S75405133B		95.1004.35 S75405134B		95.1004.36 S75405136A		95.1004.37 S75405150A	
5	Laufgrad	95.0005.34 M31427154		95.0005.34 M31427154		95.0005.36 M31427155		95.0005.36 M31427155	
7	Laufschutzdeckel	95.0007.34 M31419035		95.0007.34 M31419035		95.0007.36 M31419039		95.0007.36 M31419039	
8	Laufschutz hinten	95.0008.34 M31419036		95.0008.34 M31419036		95.0008.36 M31419040		95.0008.36 M31419040	
10	Laufschutz vorne	95.0010.34 M31419034		95.0010.34 M31419034		95.0010.36 M31419038		95.0010.36 M31419038	
10a	Laufschutz hinten	-		-		-		-	
13	Gleitringdichtung	95.0013.24 M60400045/6		95.0013.24 M60400045/6		95.0013.24 M60400045/6		95.0013.24 M60400045/6	
14	Wicklung Wechselstrom	95.2014.04 S57900017		95.2014.07 S57900036		-		-	
14	Wicklung Drehstrom	95.3014.04 S57900015		95.3014.07 S57900016		95.3014.07 S57900016		95.1014.37 S57900235	
15	Motorkappe	95.0015.03 S70214004		95.0015.03 S70214004		95.0015.03 S70214004		95.0015.21 S70214013	
16	Lüfterrad	95.0016.03 M60100003		95.0016.03 M60100003		95.0016.03 M60100003		95.0016.21 M60100008	
17	Lüfterraddeckel	95.0017.03 M60200022		95.0017.03 M60200022		95.0017.03 M60200022		95.0017.21 M60200029	
18	Klemmleiste (230 Volt)	95.0018.16 M61100008		95.0018.16 M61100008		-		-	
18	Klemmleiste (400 Volt)	95.1018.12 M61100003		95.1018.12 M61100003		95.1018.12 M61100003		95.1018.12 M61100003	
19	Klemmkastendeckel (Drehstr.)	95.0019.03 M62700008		95.0019.03 M62700008		95.0019.03 M62700008		95.0019.21 M62700006	
20	Spritzring	95.0020.01 M72606003		95.0020.01 M72606003		95.0020.01 M72606003		95.0020.01 M72606003	
21	Selbstsichernde Mutter	95.0021.24 M60513006		95.0021.24 M60513006		95.0021.24 M60513006		95.0021.24 M60513006	
22	Kugellager Pumpe	95.0022.17 M60300020		95.0022.17 M60300020		95.0022.17 M60300020		95.0022.33 M60300021	
23	Kugellager Lüfterrad	95.0022.03 M60300002		95.0022.03 M60300002		95.0022.03 M60300002		95.0023.21 M60300003	
24	Alu-Springring	95.0024.03 M60603002		95.0024.03 M60603002		95.0024.03 M60603002		95.0024.21 M60603009	
25	Motorstange	95.0025.03 M75450003		95.0025.03 M75450003		95.0025.03 M75450003		95.0025.33 M75450011	
26	Kondensator	95.0026.03 (31,5 µF) M61400007		95.0026.31 (40 µF) M61400018		-		-	
28/29	Einfüll- u. Entleer.stopfen	95.0028.05 M31447014		95.0028.05 M31447014		95.0028.05 M31447014		95.0028.05 M31447014	
31	O-Ring-Dichtung	95.0031.24 M60900051		95.0031.24 M60900051		95.0031.24 M60900051		95.0031.24 M60900051	
39	Abstandshalter	95.0039.34 M75118026		95.0039.34 M75118026		95.0039.36 M75118027		95.0039.36 M75118027	
39a	Ring	-		-		-		-	
39c	Ring	-		-		95.3039.36 M75118028		95.3039.36 M75118028	
39d	Ring	-		-		95.4039.36 M75118029		95.4039.36 M75118029	
48	Platte	95.0048.24 M31411004		95.0048.24 M31411004		95.0048.24 M31411004		95.0048.24 M31411004	
62	Kondensator-Klemmkasten (Wechselstrom)	95.0062.03 M62700019P-A		95.0062.03 M62700019P-A		-		-	
63	Stützfüßchen	95.0063.28 M72503014		95.0063.28 M72503014		95.0063.28 M72503014		95.0063.28 M72503014	
76	Buchse	-		-		-		-	
93	Haltering (wird 2mal benötigt)	95.0093.24 M60602011		95.0093.24 M60602011		95.0093.24 M60602011		95.0093.24 M60602011	
94	Ring Laufgrad	95.0094.34 M60601012		95.0094.34 M60601012		95.0094.34 M60601012		95.0094.34 M60601012	