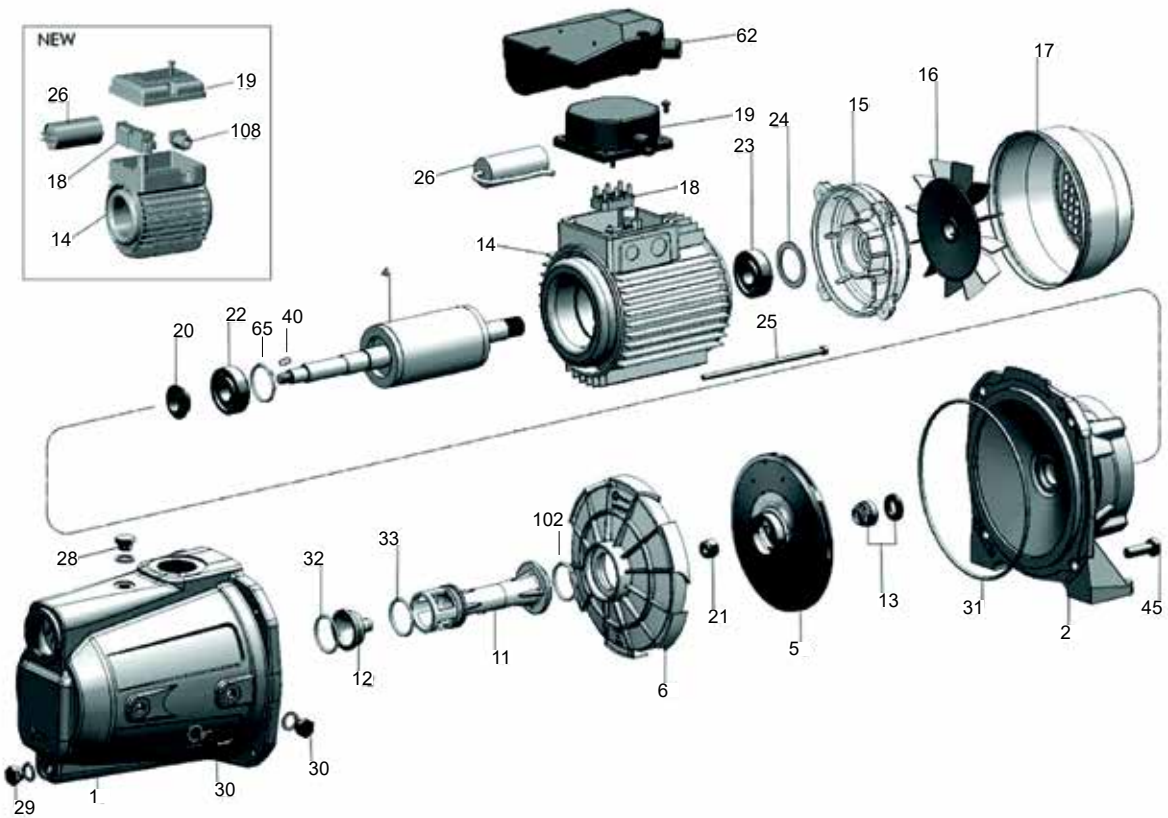


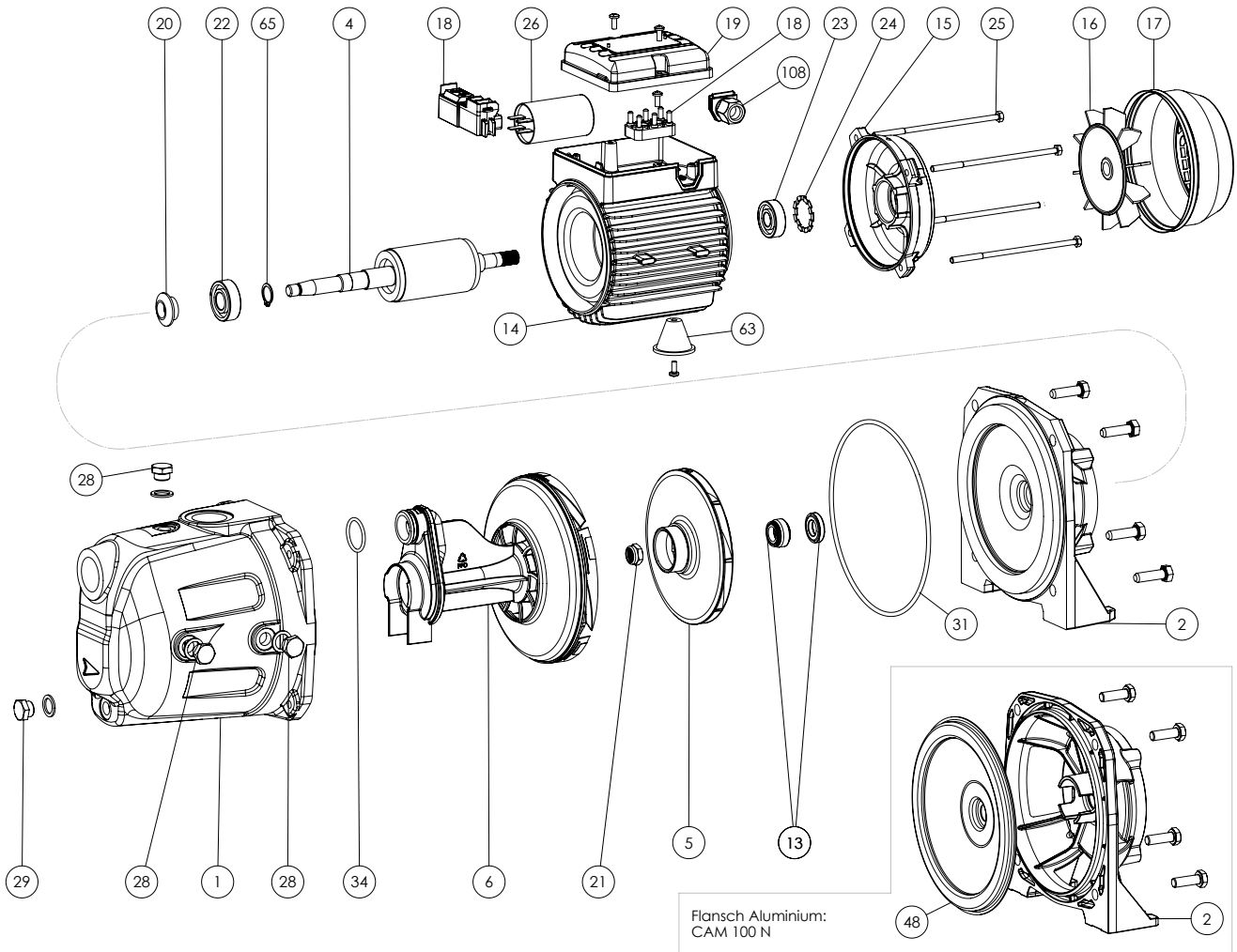
Ersatzteile

11

Pumpe CAM 100 - CAM 200 - CAM 300



Pumpe CAM 100 N - CAM 140



Flansch Aluminium:
CAM 100 N

Ersatzteile

Ersatzteile Pumpe CAM

Nr.	Bezeichnung	CAM 100 alt		CAM 100 N		CAM 140 N		CAM 200		CAM 300	
		Art.-Nr.:	€/St.	Art.-Nr.:	€/St.	Art.-Nr.:	€/St.	Art.-Nr.:	€/St.	Art.-Nr.:	€/St.
1	Pumpenkopf/Gehäuse	95.0001.01 S70017000		95.0001.04 S70017079		95.0001.04 S70017079		95.0001.17 S70017040		95.0001.17 S70017040	
2	Flansch	95.0002.01 S70046000		95.0002.08 S70246071		95.0002.08 S70246071		95.0002.17 S70046032		95.0002.17 S70046032	
4	Welle 230 Volt	95.2004.01 S75405000B		95.2004.01 S75405000B		95.2004.02 S75405000E		95.0004.17 S75405010A			
4	Welle 400 Volt	95.3004.01 S75405000D		95.3004.01 S75405000D		95.3004.02 S75405000F		95.1004.17 S75405010		95.0004.17 S75405010A	
5	Lauftrad	95.0005.01 S71127017		95.0005.13 S71127061		95.0005.02 S71127063		95.0005.17 S71127032		95.0005.18 S71127033	
6	Laufgradschutz/Diffusor	95.0006.01 M72519015		95.0006.02 M72519050		95.0006.02 M72519050		95.0006.17 M72519028		95.0006.17 M72519028	
11, 12, 32, 33	Diffusor komplett	95.0011.01						95.0011.17		95.0011.17	
13	Gleitringdichtung	95.0013.01 M60400002/3		95.0013.01 M60400002/3		95.0013.01 M60400002/3		95.0013.03 M60400010/1		95.0013.03 M60400010/1	
14	Wicklung Wechselstrom - alt -							95.2014.04 S57900034			
14	Wicklung Wechselstrom - neu -	95.2014.01n S57900012F		95.2014.01n S57900012F		95.2014.02 S57900029F					
14	Wicklung Drehstrom - alt -							95.3014.04 S57900015		95.3014.07 S57900016	
14	Wicklung Drehstrom - neu -	95.3014.01n S57900011F		95.3014.01n S57900011F		95.1014.40n S57900175F					
15	Motorkappe	95.0015.01 S70214001		95.0015.01 S70214001		95.0015.01 S70214001		95.0015.03 S70214004		95.0015.03 S70214004	
16	Lüfterrad	95.0016.01 M60100016		95.0016.01 M60100016		95.0016.01 M60100016		95.0016.03 M60100003		95.0016.03 M60100003	
17	Lüfterraddeckel	95.0017.01 M60200021		95.0017.01 M60200021		95.0017.01 M60200021		95.0017.03 M60200022		95.0017.03 M60200022	
18	Klemmleiste (230 Volt) - alt -							95.0018.16 M61100008			
18	Klemmleiste (230 Volt) - neu -	95.0018.01n M61101000		95.0018.01n M61101000		95.0018.01n M61101000					
18	Klemmleiste (400 Volt)	95.1018.01 M61100001		95.1018.01 M61100001		95.1018.01 M61100001		95.1018.12 M61100003		95.1018.12 M61100003	
19	Klemmdeckel (400 Volt) - alt -							95.0019.03 M62700008		95.0019.03 M62700008	
19	Klemmdeckel (230 Volt + 400 Volt) - neu -	95.0019.01n M62700036P-A		95.0019.01n M62700036P-A		95.0019.01n M62700036P-A					
20	Spritzring	95.0020.01 M72606003		95.0020.01 M72606003		95.0020.01 M72606003		95.0020.03 M72606000		95.0020.03 M72606000	
21	Selbstsichernde Mutter	95.0021.01 M60513004		95.0021.01 M60513004		95.0021.01 M60513004		95.0021.01 M60513004		95.0021.01 M60513004	
22	Kugellager	95.0022.01 M60300001		95.0022.01 M60300001		95.0022.01 M60300001		95.0022.03 M60300002		95.0022.03 M60300002	
23	Kugellager Lüfterrad	95.0022.01 M60300001		95.0022.01 M60300001		95.0022.01 M60300001		95.0022.03 M60300002		95.0022.03 M60300002	
24	Alu-Springring	95.0024.01 M60603001		95.0024.01 M60603001		95.0024.01 M60603001		95.0024.03 M60603002		95.0024.03 M60603002	
25	Motorstange	95.0025.01 M75450002		95.0025.01 M75450002		95.0025.01 M75450002		95.0025.03 M75450003		95.0025.03 M75450003	
26	Kondensator - alt -							95.0026.04 (35 µF) M61400014			
26	Kondensator - neu -	95.0026.01n (20 µF) M61400005F		95.0026.01n (20 µF) M61400005F		95.0026.29 (25 µF) M61400006F					
28-30	Einfüll- u. Entl.stopfen	95.0028.01 M75147000		95.0028.01 M75147000		95.0028.01 M75147000		95.0028.01 M75147000		95.0028.01 M75147000	
31	O-Ring-Dichtung	95.0031.01 M60900008		95.0031.01 M60900008		95.0031.01 M60900008		95.0031.03 M60900010		95.0031.03 M60900010	
34	Diffusor-Ring			95.0034.04 M60900145		95.0034.04 M60900145					
40	Keil							95.0040.17 M61000001		95.0040.17 M61000001	
45	Schraube	95.0045.01 M60500044		95.0045.01 M60500044		95.0045.01 M60500044		95.0045.17 M60500059		95.0045.17 M60500059	
48	Teller für Flansch			95.0048.13 M31411007		95.0048.13 M31411007					
62	Kondensator-Klemmkasten (Wechselstrom) - alt -							95.0062.03 M62700019P-A			
65	Sperring			95.0065.13 M60602000		95.0065.13 M60602000		95.0065.03 M60602001		95.0065.03 M60602001	
102	Dichtung Laufgradschutz							95.0102.01 M60900038		95.0102.01 M60900038	
108	Kabeldurchführung	95.0108.01 M60701101		95.0108.01 M60701101		95.0108.01 M60701101					