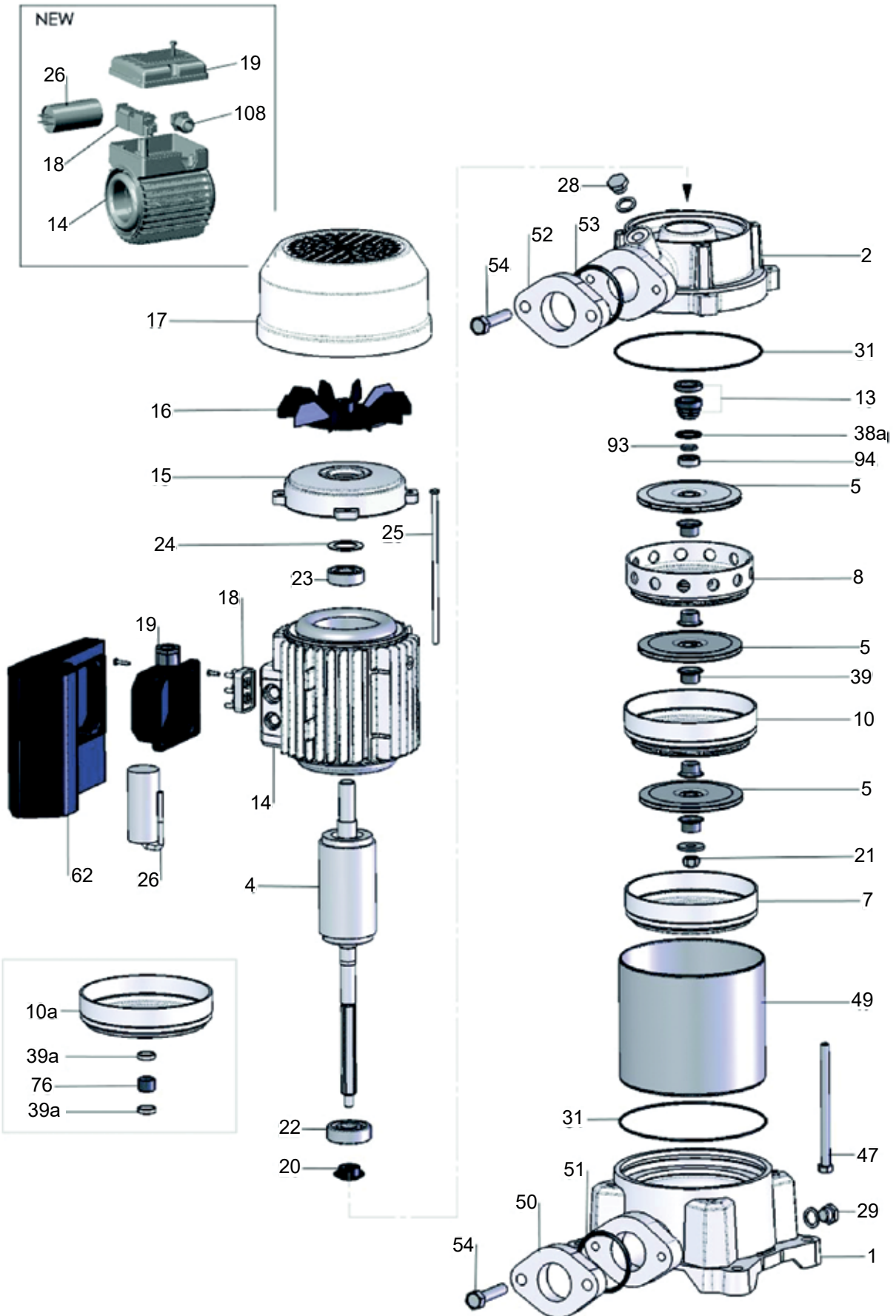


Ersatzteile

Pumpe Ultra SV



## Ersatzteile

11

### Pumpe Ultra 5 SV

Nr.	Bezeichnung	U 5 SV 120/4		U 5 SV 150/5		U 5 SV 180/6		U 5 SV 200/7		U 5 SV 250/8	
		Art.-Nr.:	€/St.	Art.-Nr.:	€/St.	Art.-Nr.:	€/St.	Art.-Nr.:	€/St.	Art.-Nr.:	€/St.
1	Pumpenkopf/Gehäuse	95.0001.40 S70017056		95.0001.40 S70017056		95.0001.40 S70017056		95.0001.40 S70017056		95.0001.40 S70017056	
2	Flansch	95.0002.40 S70046046		95.0002.41 S70046047		95.0002.41 S70046047		95.0002.41 S70046047		95.0002.41 S70046047	
4	Welle 230 Volt	95.0004.40 S75405114A		95.0004.28 S75405133C		95.0004.29 S75405131A		95.0004.30 S75405130A		95.0004.44 S75405139A	
4	Welle 380 Volt	95.0004.40 S75405114A		95.0004.28 S75405133C		95.1004.29 S75405131B		95.1004.30 S75405130B		95.1004.44 S75405139B	
5	Lauftrad	95.0005.40 M31427152		95.0005.40 M31427152		95.0005.40 M31427152		95.0005.40 M31427152		95.0005.40 M31427152	
7	Laufschutzdeckel	95.0007.24 M31419031		95.0007.24 M31419031		95.0007.24 M31419031		95.0007.24 M31419031		95.0007.24 M31419031	
8	Laufschutz hinten	95.0008.24 M31419032		95.0008.24 M31419032		95.0008.24 M31419032		95.0008.24 M31419032		95.0008.24 M31419032	
10	Laufschutz vorne	95.0010.25 M31419030		95.0010.25 M31419030		95.0010.25 M31419030		95.0010.25 M31419030		95.0010.25 M31419030	
10a	Laufschutz hinten	-		-		-		95.1010.30 M31419033		95.1010.30 M31419033	
13	Gleitringdichtung	95.0013.24 M60400045/6		95.0013.24 M60400045/6		95.0013.24 M60400045/6		95.0013.30 M60400047/8		95.0013.30 M60400047/8	
14	Wicklung Wechselstrom - alt -			95.0014.28 S57900279		95.2014.03 S57900014		95.2014.04 S57900017		95.2014.07 S57900036	
14	Wicklung Wechselstrom - neu -	95.0014.08n S57900098F									
14	Wicklung Drehstrom - alt -			95.3014.03 S57900013		95.3014.03 S57900013		95.3014.04 S57900015		95.3014.07 S57900016	
14	Wicklung Drehstrom - neu -	95.1014.40n S57900175F									
15	Motorkappe	95.0015.01 S70214001		95.0015.03 S70214004		95.0015.03 S70214004		95.0015.03 S70214004		95.0015.03 S70214004	
16	Lüfterrad	95.0016.01 M60100016		95.0016.03 M60100003		95.0016.03 M60100003		95.0016.03 M60100003		95.0016.03 M60100003	
17	Lüfterraddeckel	95.0017.01 M60200021		95.0017.03 M60200022		95.0017.03 M60200022		95.0017.03 M60200022		95.0017.03 M60200022	
18	Klemmleiste (230 Volt) - alt -	95.0018.01 M61100007		95.0018.16 M61100008		95.0018.16 M61100008		95.0018.16 M61100008		95.0018.16 M61100008	
18	Klemmleiste (230 Volt) - neu -	95.0018.01n M61101000									
18	Klemmleiste (400 Volt)	95.1018.01 M61100001		95.1018.12 M61100003		95.1018.12 M61100003		95.1018.12 M61100003		95.1018.12 M61100003	
19	Klemmdeckel (400 Volt) - alt -	95.0019.01 M62700000		95.0019.03 M62700008		95.0019.03 M62700008		95.0019.03 M62700008		95.0019.03 M62700008	
19	Klemmdeckel (230 Volt + 400 Volt) - neu -	95.0019.01n M62700036P									
20	Spritzring	95.0020.01 M72606003		95.0020.01 M72606003		95.0020.01 M72606003		95.0020.01 M72606003		95.0020.01 M72606003	
21	Selbstsichernde Mutter	95.0021.24 M60513006		95.0021.24 M60513006		95.0021.24 M60513006		95.0021.24 M60513006		95.0021.24 M60513006	
22	Kugellager Pumpe	95.0022.12 M60300022		95.0022.17 M60300020		95.0022.17 M60300020		95.0022.17 M60300020		95.0022.17 M60300020	
23	Kugellager Lüfterrad	95.0022.01 M60300001		95.0022.03 M60300002		95.0022.03 M60300002		95.0022.03 M60300002		95.0022.03 M60300002	
24	Alu-Springring	95.0024.01 M60603001		95.0024.03 M60603002		95.0024.03 M60603002		95.0024.03 M60603002		95.0024.03 M60603002	
25	Motorstange	95.0025.01 M75450002		95.0025.03 M75450003		95.0025.03 M75450003		95.0025.03 M75450003		95.0025.03 M75450003	
26	Kondensator - neu -	95.0026.01n (25µF) M61400005F		95.0026.28 (25µF) M61400006		95.0026.28 (25µF) M61400006		95.0026.03 (31,5µF) M61400007		95.0026.31 (40µF) M61400018	
28/29	Einfüll- u. Entleer.stopfen	95.0028.01 M75147000		95.0028.01 M75147000		95.0028.01 M75147000		95.0028.01 M75147000		95.0028.01 M75147000	
31	O-Ring-Dichtung	95.0031.40 M60900061		95.0031.40 M60900061		95.0031.40 M60900061		95.0031.40 M60900061		95.0031.40 M60900061	
39	Abstandshalter	95.0039.24 M75118025		95.0039.24 M75118025		95.0039.24 M75118025		95.0039.24 M75118025		95.0039.24 M75118025	
39a	Ring	-		-		-		95.1039.30 M75118030		95.1039.30 M75118030	
47	Stange Pumpengehäuse	95.0047.40 M75450045		95.0047.41 M75450046		95.0047.42 M75450047		95.0047.43 M75450048		95.0047.44 M75450050	
49	Edelstahlummantelung	95.0049.40 M71401040		95.0049.41 M71401042		95.0049.42 M71401043		95.0049.43 M71401045		95.0049.44 M71401048	
50	Flansch (Saugseite)	95.0050.40 S70013009A		95.0050.40 S70013009A		95.0050.40 S70013009A		95.0050.40 S70013009A		95.0050.40 S70013009A	
51	Dichtung (Saugseite)	95.0051.40 M60900044		95.0051.40 M60900044		95.0051.40 M60900044		95.0051.40 M60900044		95.0051.40 M60900044	
52	Flansch (Druckseite)	95.0050.40 S70013009A		95.0050.40 S70013009A		95.0050.40 S70013009A		95.0050.40 S70013009A		95.0050.40 S70013009A	
53	Dichtung (Druckseite)	95.0051.40 M60900044		95.0051.40 M60900044		95.0051.40 M60900044		95.0051.40 M60900044		95.0051.40 M60900044	
54	Flansch-Schraube	95.0054.40 M60500148		95.0054.40 M60500148		95.0054.40 M60500148		95.0054.40 M60500148		95.0054.40 M60500148	
76	Buchse	-		-		-		95.0076.43 M75150013		95.0078.30 M75150012	
93	Haltering (wird 2mal benötigt)	95.0093.24 M60602011		95.0093.24 M60602011		95.0093.24 M60602011		95.0093.24 M60602011		95.0093.24 M60602011	
94	Ring Lauftrad	95.0094.24 M60601011		95.0094.24 M60601011		95.0094.24 M60601011		95.0094.24 M60601011		95.0094.24 M60601011	
108	Kabeldurchführung	95.0108.01 M60701101									

## Ersatzteile

## Pumpe Ultra 5 SV

Nr.	Bezeichnung	U 5 SV 280/9		U 5 SV 300/10		U 5 SV 350/11		U 5 SV 380/12	
		Art.-Nr.:	€/St.	Art.-Nr.:	€/St.	Art.-Nr.:	€/St.	Art.-Nr.:	€/St.
1	Pumpenkopf/Gehäuse	95.0001.40 S70017056		95.0001.40 S70017056		95.0001.40 S70017056		95.0001.40 S70017056	
2	Flansch					95.0002.47 S70046048		95.0002.47 S70046048	
4	Welle 230 Volt	95.0004.45 S75405153A		95.0004.46 S75405152A		95.0004.47 S75405151S		-	
4	Welle 380 Volt	95.1004.45 S75405138A		95.1004.46 S75405137A		95.1004.47 S75405151A		95.1004.47 S75405151A	
5	Lauftrad	95.0005.40 M31427152		95.0005.40 M31427152		95.0005.40 M31427152		95.0005.40 M31427152	
7	Laufschutzdeckel	95.0007.24 M31419031		95.0007.24 M31419031		95.0007.24 M31419031		95.0007.24 M31419031	
8	Laufschutz hinten	95.0008.24 M31419032		95.0008.24 M31419032		95.0008.24 M31419032		95.0008.24 M31419032	
10	Laufschutz vorne	95.0010.25 M31419030		95.0010.25 M31419030		95.0010.25 M31419030		95.0010.25 M31419030	
10a	Laufschutz hinten	95.1010.30 M31419033		95.1010.30 M31419033		95.1010.30 M31419033		95.1010.30 M31419033	
13	Gleitringdichtung	95.0013.30 M60400047/8		95.0013.30 M60400047/8		95.0013.30 M60400047/8		95.0013.30 M60400047/8	
14	Wicklung Wechselstrom	95.0014.45 S57900263		95.0014.45 S57900263		95.0014.47 S57900234		-	
14	Wicklung Drehstrom	95.3014.07 S57900016		95.1014.32 S57900327		95.1014.33 S57900233		95.1014.37 S57900554	
15	Motorplatte					95.0015.21 S70214013		95.0015.21 S70214013	
16	Lüfterrad					95.0016.21 M60100008		95.0016.21 M60100008	
17	Lüfterraddeckel					95.0017.21 M60200029		95.0017.21 M60200029	
18	Klemmleiste (230 Volt)	95.0018.16 M61100008		95.0018.16 M61100008		95.0018.16 M61100008		95.0018.16 M61100008	
18	Klemmleiste (400 Volt)	95.1018.12 M61100003		95.1018.12 M61100003		95.1018.12 M61100003		95.1018.12 M61100003	
19	Klemmkastendeckel (Drehstr.)	95.0019.03 M62700008		95.0019.03 M62700008		95.0019.21 M62700006		95.0019.21 M62700006	
20	Spritzring	95.0020.01 M72606003		95.0020.01 M72606003		95.0020.01 M72606003		95.0020.01 M72606003	
21	Selbstsichernde Mutter	95.0021.24 M60513006		95.0021.24 M60513006		95.0021.24 M60513006		95.0021.24 M60513006	
22	Kugellager Pumpe					95.0022.33 M60300021		95.0022.33 M60300021	
23	Kugellager Lüfterrad					95.0023.21 M60300003		95.0023.21 M60300003	
24	Alu-Springring					95.0024.21 M60603009		95.0024.21 M60603009	
25	Motorstange					95.0025.33 M75450011		95.0025.33 M75450011	
26	Kondensator	95.0026.31 (40µF) M61400018		95.0026.31 (40µF) M61400018		95.0026.77 (75µF) M61400020			
28/29	Einfüll- u. Entleer.stopfen	95.0028.01 M75147000		95.0028.01 M75147000		95.0028.01 M75147000		95.0028.01 M75147000	
31	O-Ring-Dichtung	95.0031.40 M60900061		95.0031.40 M60900061		95.0031.40 M60900061		95.0031.40 M60900061	
39	Abstandshalter	95.0039.24 M75118025		95.0039.24 M75118025		95.0039.24 M75118025		95.0039.24 M75118025	
39a	Ring	95.1039.30 M75118030		95.1039.30 M75118030		95.1039.30 M75118030		95.1039.30 M75118030	
47	Stange Pumpengehäuse	95.0047.45 M75450051		95.0047.46 M75450006		95.0047.47 M75450053		95.0047.48 M75450055	
49	Edelstahlummantelung	95.0049.45 M71401050		95.0049.46 M71401052		95.0049.47 M71401053		95.0049.48 M71401060	
50	Flansch (Saugseite)	95.0050.40 S70013009A		95.0050.40 S70013009A		95.0050.40 S70013009A		95.0050.40 S70013009A	
51	Dichtung (Saugseite)	95.0051.40 M60900044		95.0051.40 M60900044		95.0051.40 M60900044		95.0051.40 M60900044	
52	Flansch (Druckseite)	95.0050.40 S70013009A		95.0050.40 S70013009A		95.0050.40 S70013009A		95.0050.40 S70013009A	
53	Dichtung (Druckseite)	95.0051.40 M60900044		95.0051.40 M60900044		95.0051.40 M60900044		95.0051.40 M60900044	
54	Flansch-Schraube	95.0054.40 M60500148		95.0054.40 M60500148		95.0054.40 M60500148		95.0054.40 M60500148	
76	Buchse	95.0076.43 M75150013		95.0076.43 M75150013		95.0076.43 M75150013		95.0076.43 M75150013	
93	Haltering (wird 2mal benötigt)	95.0093.24 M60602011		95.0093.24 M60602011		95.0093.24 M60602011		95.0093.24 M60602011	
94	Ring Lauftrad	95.0094.24 M60601011		95.0094.24 M60601011		95.0094.24 M60601011		95.0094.24 M60601011	

## Ersatzteile

11

### Pumpe Ultra 7 SV

Nr.	Bezeichnung	U 7 SV 250/5		U 7 SV 300/6		U 7 SV 350/7		U 7 SV 400/8		U 7 SV 450/9		U 7 SV 550/10	
		Art.-Nr.:	€/St.	Art.-Nr.:	€/St.	Art.-Nr.:	€/St.	Art.-Nr.:	€/St.	Art.-Nr.:	€/St.	Art.-Nr.:	€/St.
1	Pumpenkopf/Gehäuse	95.0001.40 S70017056		95.0001.40 S70017056		95.0001.40 S70017056		95.0001.40 S70017056		95.0001.40 S70017056		95.0001.40 S70017056	
2	Flansch	95.0002.41 S70046047		95.0002.41 S70046047		95.0002.47 S70046048		95.0002.47 S70046048		95.0002.53 S70046049		95.0002.53 S70046049	
4	Welle 380 Volt	95.1004.31 S75405133A		95.1004.32 S75405131C		95.1004.33 S75405156A		95.1004.52 S75405157A		95.1004.53 S75405165A		95.1004.54 S75405164B	
5	Lauftrad	95.0005.31 M31427153		95.0005.31 M31427153		95.0005.31 M31427153		95.0005.31 M31427153		95.0005.31 M31427153		95.0005.31 M31427153	
7	Laufschutzdeckel	95.0007.24 M31419031		95.0007.24 M31419031		95.0007.24 M31419031		95.0007.24 M31419031		95.0007.24 M31419031		95.0007.24 M31419031	
8	Laufschutz hinten	95.0008.24 M31419032		95.0008.24 M31419032		95.0008.24 M31419032		95.0008.24 M31419032		95.0008.24 M31419032		95.0008.24 M31419032	
10	Laufschutz vorne	95.0010.25 M31419030		95.0010.25 M31419030		95.0010.25 M31419030		95.0010.25 M31419030		95.0010.25 M31419030		95.0010.25 M31419030	
10a	Laufschutz hinten	-		-		95.1010.30 M31419033		95.1010.30 M31419033		95.1010.30 M31419033		95.1010.30 M31419033	
13	Gleitringdichtung	95.0013.24 M60400045/6		95.0013.24 M60400045/6		95.0013.30 M60400047/8		95.0013.30 M60400047/8		95.0013.30 M60400047/8		95.0013.30 M60400047/8	
14	Wicklung Drehstrom	95.3014.07 S57900016		95.1014.32 S57900327		95.1014.33 S57900233		95.1014.37 S57900235		95.1014.53 S57900249		95.1014.54 S57900250	
15	Motorkappe	95.0015.03 S70214004		95.0015.03 S70214004		95.0015.21 S70214013		95.0015.21 S70214013		95.0015.53 S70214007		95.0015.53 S70214007	
16	Lüfterrad	95.0016.03 M60100003		95.0016.03 M60100003		95.0016.21 M60100008		95.0016.21 M60100008		95.0016.53 M60100004		95.0016.53 M60100004	
17	Lüfterraddeckel	95.0017.03 M60200022		95.0017.03 M60200022		95.0017.21 M60200029		95.0017.21 M60200029		95.0017.53 M60200030		95.0017.53 M60200030	
18	Klemmleiste	95.1018.12 M61100003		95.1018.12 M61100003		95.1018.12 M61100003		95.1018.12 M61100003		95.1018.53 M61100004		95.1018.53 M61100004	
19	Klemmkastendeckel	95.0019.03 M62700008		95.0019.03 M62700008		95.0019.21 M62700006		95.0019.21 M62700006		95.0019.21 M62700006		95.0019.21 M62700006	
20	Spritzring	95.0020.01 M72606003		95.0020.01 M72606003		95.0020.01 M72606003		95.0020.01 M72606003		95.0020.03 M72606000		95.0020.03 M72606000	
21	Selbstsichernde Mutter	95.0021.24 M60513006		95.0021.24 M60513006		95.0021.24 M60513006		95.0021.24 M60513006		95.0021.24 M60513006		95.0021.24 M60513006	
22	Kugellager Pumpe	95.0022.17 M60300020		95.0022.17 M60300020		95.0022.33 M60300021		95.0022.33 M60300021		95.0022.53 M60300008		95.0022.53 M60300008	
23	Kugellager Lüfterrad	95.0022.03 M60300002		95.0022.03 M60300002		95.0023.21 M60300003		95.0023.21 M60300003		95.0023.53 M60300004		95.0023.53 M60300004	
24	Alu-Spritzring	95.0024.03 M60603002				95.0024.21 M60603009		95.0024.21 M60603009		95.0024.53 M60603003		95.0024.53 M60603003	
25	Motorstange	95.0025.03 M75450003		95.0025.03 M75450003		95.0025.33 M75450011		95.0025.33 M75450011		95.0025.53 M75450004		95.0025.53 M75450004	
28/29	Einfüll- u. Entleer.stopfen	95.0028.01 M75147000		95.0028.01 M75147000		95.0028.01 M75147000		95.0028.01 M75147000		95.0028.01 M75147000		95.0028.01 M75147000	
31	O-Ring-Dichtung	95.0031.40 M60900061		95.0031.40 M60900061		95.0031.40 M60900061		95.0031.40 M60900061		95.0031.40 M60900061		95.0031.40 M60900061	
39	Abstandshalter	95.0039.24 M75118025		95.0039.24 M75118025		95.0039.24 M75118025		95.0039.24 M75118025		95.0039.24 M75118025		95.0039.24 M75118025	
39a	Ring	-		-		95.1039.30 M75118030		95.1039.30 M75118030		95.1039.30 M75118030		95.1039.30 M75118030	
39b	Ring	-		-		-		-		-		-	
39c	Ring	-		-		-		-		-		-	
39d	Ring	-		-		-		-		-		-	
47	Stange Pumpengehäuse	95.0047.41 M75450046		95.0047.42 M75450047		95.0047.43 M75450048		95.0047.44 M75450050		95.0047.45 M75450051		95.0047.46 M75450006	
49	Edelstahlummantelung	95.0049.41 M71401042		95.0049.42 M71401043		95.0049.43 M71401045		95.0049.44 M71401048		95.0049.45 M71401050		95.0049.46 M71401052	
50	Flansch (Saugseite)	95.0050.40 S70013009A		95.0050.40 S70013009A		95.0050.40 S70013009A		95.0050.40 S70013009A		95.0050.40 S70013009A		95.0050.40 S70013009A	
51	Dichtung (Saugseite)	95.0051.40 M60900044		95.0051.40 M60900044		95.0051.40 M60900044		95.0051.40 M60900044		95.0051.40 M60900044		95.0051.40 M60900044	
52	Flansch (Druckseite)	95.0050.40 S70013009A		95.0050.40 S70013009A		95.0050.40 S70013009A		95.0050.40 S70013009A		95.0050.40 S70013009A		95.0050.40 S70013009A	
53	Dichtung (Druckseite)	95.0051.40 M60900044		95.0051.40 M60900044		95.0051.40 M60900044		95.0051.40 M60900044		95.0051.40 M60900044		95.0051.40 M60900044	
54	Flansch-Schraube	95.0054.40 M60500148		95.0054.40 M60500148		95.0054.40 M60500148		95.0054.40 M60500148		95.0054.40 M60500148		95.0054.40 M60500148	
76	Buchse	-		-		95.0078.30 M75150012		95.0078.30 M75150012		95.0078.30 M75150012		95.0078.30 M75150012	
93	Haltering (wird 2mal benötigt)	95.0093.24 M60602011		95.0093.24 M60602011		95.0093.24 M60602011		95.0093.24 M60602011		95.0093.24 M60602011		95.0093.24 M60602011	
94	Ring Lauftrad	95.0094.24 M60601011		95.0094.24 M60601011		95.0094.24 M60601011		95.0094.24 M60601011		95.0094.24 M60601011		95.0094.24 M60601011	

## Ersatzteile

## Ersatzteile Pumpe Ultra 18 SV

Nr.	Bezeichnung	U 18 SV 400/4		U 18 SV 450/5		U 18 SV 550/6		U 18 SV 750/8		U 18 SV 900/9	
		Art.-Nr.:	€/St.	Art.-Nr.:	€/St.	Art.-Nr.:	€/St.	Art.-Nr.:	€/St.	Art.-Nr.:	€/St.
1	Pumpenkopf/Gehäuse	95.0001.55 S70017057		95.0001.55 S70017057		95.0001.55 S70017057		95.0001.55 S70017057		95.0001.55 S70017057	
2	Flansch	95.0002.47 S70046048		95.0002.53 S70046049		95.0002.53 S70046049		95.0002.53 S70046049		95.0002.53 S70046049	
4	Welle 380 Volt	95.1004.37 S75405150A		95.1004.56 S75405161A		95.1004.57 S75405160A		95.1004.58 S75405171A		95.1004.59 S75405170A	
5	Lauftrad	95.0005.36 M31427155		95.0005.36 M31427155		95.0005.36 M31427155		95.0005.36 M31427155		95.0005.36 M31427155	
7	Laufschutzdeckel	95.0007.36 M31419039		95.0007.36 M31419039		95.0007.36 M31419039		95.0007.36 M31419039		95.0007.36 M31419039	
8	Laufschutz hinten	95.0008.36 M31419040		95.0008.36 M31419040		95.0008.36 M31419040		95.0008.36 M31419040		95.0008.36 M31419040	
10	Laufschutz vorne	95.0010.36 M31419038		95.0010.36 M31419038		95.0010.36 M31419038		95.0010.36 M31419038		95.0010.36 M31419038	
10a	Laufschutz hinten	-		95.1010.56 M31419041		95.1010.56 M31419041		95.1010.56 M31419041		95.1010.56 M31419041	
13	Gleitringdichtung	95.0013.24 M60400045/6		95.0013.56 M60400097/48		95.0013.56 M60400097/48		95.0013.56 M60400097/48		95.0013.56 M60400097/48	
14	Wicklung Drehstrom	95.1014.37 S57900235		95.1014.53 S57900249		95.1014.54 S57900250		95.1014.58 S57900077		95.1014.59 S57900183	
15	Motorkappe	95.0015.21 S70214013		95.0015.53 S70214007		95.0015.53 S70214007		95.0015.58 S70214012		95.0015.58 S70214012	
16	Lüfterrad	95.0016.21 M60100008		95.0016.53 M60100004		95.0016.53 M60100004		95.0016.58 M60100005		95.0016.58 M60100005	
17	Lüfterraddeckel	95.0017.21 M60200029		95.0017.53 M60200030		95.0017.53 M60200030		95.0017.58 S71415004		95.0017.58 S71415004	
18	Klemmleiste	95.1018.12 M61100003		95.1018.53 M61100004		95.1018.53 M61100004		95.1018.53 M61100004		95.1018.53 M61100004	
19	Klemmkastendeckel	95.0019.21 M62700006		95.0019.21 M62700006		95.0019.21 M62700006		95.0019.58 M62700002		95.0019.58 M62700002	
20	Spritzring	95.0020.01 M72606003		95.0020.03 M72606000		95.0020.03 M72606000		95.0020.03 M72606000		95.0020.03 M72606000	
21	Selbstsichernde Mutter	95.0021.24 M60513006		95.0021.24 M60513006		95.0021.24 M60513006		95.0021.24 M60513006		95.0021.24 M60513006	
22	Kugellager Pumpe	95.0022.33 M60300021		95.0022.53 M60300008		95.0022.53 M60300008		95.0022.58 M60300023		95.0022.58 M60300023	
23	Kugellager Lüfterrad	95.0023.21 M60300003		95.0023.53 M60300004		95.0023.53 M60300004		95.0022.53 M60300008		95.0022.53 M60300008	
24	Alu-Springring	95.0024.21 M60603009		95.0024.53 M60603003		95.0024.53 M60603003		95.0024.58 M60603007		95.0024.58 M60603007	
25	Motorstange	95.0025.33 M75450011		95.0025.53 M75450004		95.0025.53 M75450004		95.0047.14 M75450005		95.0047.14 M75450005	
28/29	Einfüll- u. Entleer.stopfen	95.0028.01 M75147000		95.0028.01 M75147000		95.0028.01 M75147000		95.0028.01 M75147000		95.0028.01 M75147000	
31	O-Ring-Dichtung	95.0031.40 M60900061		95.0031.40 M60900061		95.0031.40 M60900061		95.0031.40 M60900061		95.0031.40 M60900061	
39	Abstandshalter	95.0039.36 M75118027		95.0039.36 M75118027		95.0039.36 M75118027		95.0039.36 M75118027		95.0039.36 M75118027	
39a	Ring	-		95.1039.56 M75118032		95.1039.56 M75118032		95.1039.56 M75118032		95.1039.56 M75118032	
39b	Ring	-		95.2039.56 M75118033		95.2039.56 M75118033		95.2039.56 M75118033		95.2039.56 M75118033	
39c	Ring	95.3039.36 M75118028		95.3039.36 M75118028		95.3039.36 M75118028		95.3039.36 M75118028		95.3039.36 M75118028	
39d	Ring	95.4039.36 M75118029		95.4039.36 M75118029		95.4039.36 M75118029		95.4039.36 M75118029		95.4039.36 M75118029	
47	Stange Pumpengehäuse	95.0047.42 M75450047		95.0047.44 M75450050		95.0047.57 M75450052		95.0047.58 M75450054		95.0047.59 M75450061	
49	Edelstahlummantelung	95.0049.55 M71401044		95.0049.56 M71401047		95.0049.57 M71401051		95.0049.58 M71401055		95.0049.59 M71401056	
50	Flansch (Saugseite)	95.0050.55 S70013010		95.0050.55 S70013010		95.0050.55 S70013010		95.0050.55 S70013010		95.0050.55 S70013010	
51	Dichtung (Saugseite)	95.0051.55 M60900059		95.0051.55 M60900059		95.0051.55 M60900059		95.0051.55 M60900059		95.0051.55 M60900059	
52	Flansch (Druckseite)	95.0052.55 S70013009B		95.0052.55 S70013009B		95.0052.55 S70013009B		95.0052.55 S70013009B		95.0052.55 S70013009B	
53	Dichtung (Druckseite)	95.0051.40 M60900044		95.0051.40 M60900044		95.0051.40 M60900044		95.0051.40 M60900044		95.0051.40 M60900044	
54	Flansch-Schraube	95.0054.40 M60500148		95.0054.40 M60500148		95.0054.40 M60500148		95.0054.40 M60500148		95.0054.40 M60500148	
76	Buchse	-		95.0078.30 M75150012		95.0078.30 M75150012		95.0078.30 M75150012		95.0078.30 M75150012	
93	Haltering 2teilig	95.0093.24 M60602011		95.0093.24 M60602011		95.0093.24 M60602011		95.0093.24 M60602011		95.0093.24 M60602011	
94	Ring Lauftrad	95.0094.34 M60601012		95.0094.34 M60601012		95.0094.34 M60601012		95.0094.34 M60601012		95.0094.34 M60601012	