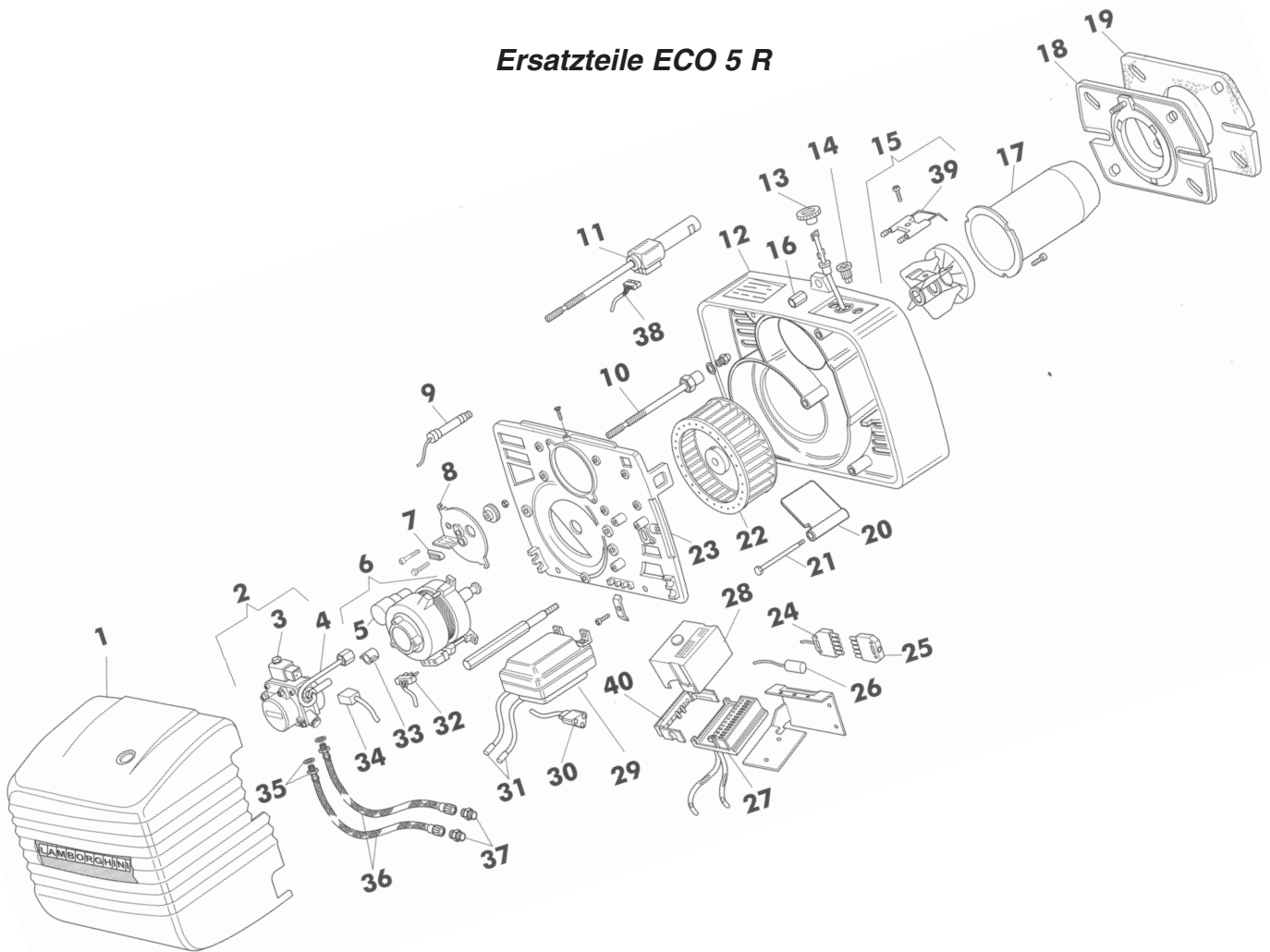


»AVAG-PUMPEN«

Ersatzteile ECO 5 R



| ECO 5 R | | | | | |
|---------|-------------|--------------------------|------|-------------|-----------------------|
| Pos. | Bestell-Nr. | Bezeichnung: | Pos. | Bestell-Nr. | Bezeichnung |
| 1 | 1.08086.0 | Haube | 20 | 1.08090.0 | Klappe |
| 2 | 4.01778.0 | Pumpe AS | 21 | 1.08091.0 | Bolzen f. Klappe |
| 2 | 4.03304.0 | Pumpe Danfoss | 22 | 4.03517.0 | Lüfterrad |
| 3 | 4.03473.0 | Spule Danfoss | 23 | 1.08295.0 | Komponentenplatte |
| 4 | 1.08095.0 | Rohr | 24 | 4.03422.0 | Stecker |
| 4 | 1.08697.0 | Röhrchen | 25 | 4.03210.0 | Stecker |
| 5 | 4.03513.0 | Kondensator | 26 | 4.03471.0 | Filter FC |
| 6 | 1.10088.0 | Motor | 27 | 4.01551.0 | Brett |
| 7 | 1.07780.0 | Zeiger | 28 | 4.03523.0 | Steuerung Landis |
| 8 | 1.08087.0 | Flansch ECO 5 | 29 | 4.03540.0 | Transformator ECO 5 |
| 8 | 1.08579.0 | Flansch ECO 5-R | 29 | 4.03308.0 | Transformator ECO 5-R |
| 9 | 4.01234.1 | Fotowiderstand | 30 | 1.08068.0 | Kabel Transformator |
| 10 | 1.08566.0 | Halterung ECO 5 | 31 | 1.08047.0 | Kabel Elektrode |
| 11 | 1.10231.0 | Ölvorwärmer ECO 5-R | 32 | 1.06962.0 | Motorkabel m. Stecker |
| 12 | 1.11005.0 | Brennerkörper | 33 | 4.03514.0 | Verbindung AEG |
| 13 | 1.07803.0 | Ritzel | 34 | 1.06964.0 | Kabel Lüfterrad |
| 14 | 1.07804.0 | Luftregulierungsschraube | 35 | 1.00129.0 | Ring 1/4" |
| 15 | 4.02000.0 | Deflektor m. Elektrode | 36 | 1.06922.0 | Flex-Schlauch |
| 16 | 1.07792.0 | Mutter | 37 | 1.00119.0 | Nippel 3/8" |
| 17 | 1.07790.0 | Flammenrohr | 38 | 4.70389.0 | Kabel Vorheizung |
| 18 | 1.07777.0 | Flansch | 39 | 4.03107.0 | Elektrode |
| 19 | 1.07785.0 | Isolierdichtung | 40 | 4.03195.0 | Kabelhalter f. AGK 66 |