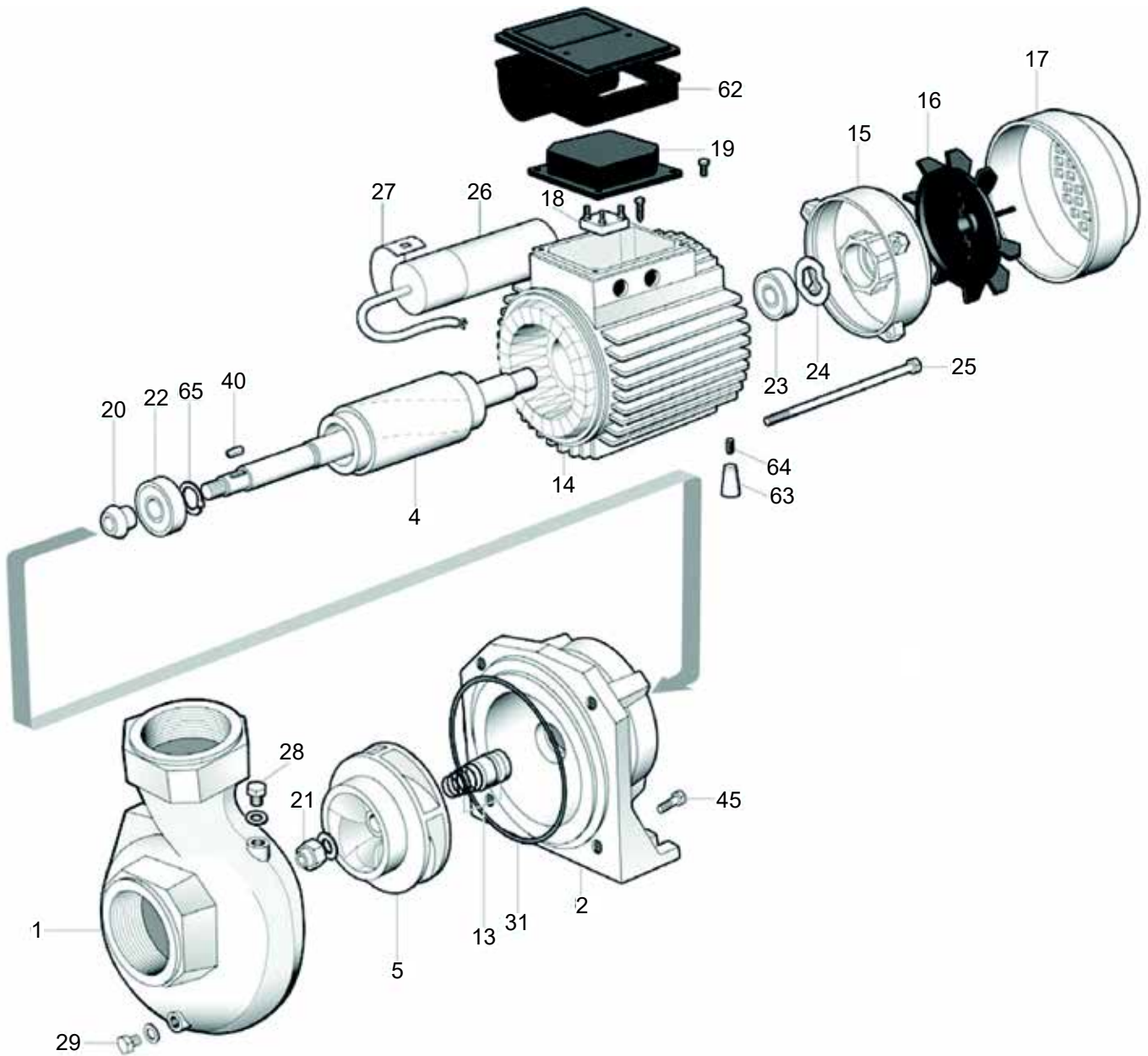


Ersatzteile

Ersatzteile Pumpe CS



Ersatzteile

Ersatzteile Pumpe CS

Nr.	Bezeichnung	CSb 150/2		CS 200/3		CS 300/3		CS 400/3		CS 450/4		CS 550/4	
		Art.-Nr.:		Art.-Nr.:		Art.-Nr.:		Art.-Nr.:		Art.-Nr.:		Art.-Nr.:	
1	Pumpenkopf/Gehäuse	95.0001.75 S70017041		95.0001.76 S70017042		95.0001.76 S70017042		95.0001.76 S70017042		95.0001.79 S70017043		95.0001.79 S70017043	
2	Flansch	95.0002.75 S70046041		95.0002.76 S70046042		95.0002.76 S70046042		95.0002.76 S70046042		95.0002.79 S70046029		95.0002.79 S70046029	
4	Welle 230 Volt	95.1004.17 S75405010		95.0004.76 S7540501C		95.0004.77 S7540501S		-		-		-	
4	Welle 380 Volt	95.1004.75 S75405010B		95.1004.76 S7540501D		95.1004.77 S7540501B		95.1004.78 S7540501		95.1004.79 S75405018B		95.1004.80 S75405018A	
5	Laufrad	95.0005.75 S71127041A		95.0005.76 S70027042C		95.0005.77 S70027042B		95.0005.78 S70027042A		95.0005.79 S70027043B		95.0005.80 S70027043A	
13	Gleitringdichtung	95.0013.03 M60400010/1		95.0013.71 M60400012/3		95.0013.71 M60400012/3		95.0013.71 M60400012/3		95.0013.71 M60400012/3		95.0013.71 M60400012/3	
14	Wicklung Wechselstrom	95.2014.03 S57900014		95.0014.76 S57900232		95.0014.47 S57900234		-		-		-	
14	Wicklung Drehstrom	95.3014.03 S57900013		95.1014.76 S57900231		95.1014.33 S57900233		95.1014.37 S57900235		95.1014.53 S57900249		95.1014.54 S57900250	
15	Motorplatte	95.0015.03 S70214004		95.0015.21 S70214013		95.0015.21 S70214013		95.0015.21 S70214013		95.0015.53 S70214007		95.0015.53 S70214007	
16	Lüfterrad	95.0016.03 M60100003		95.0016.21 M60100008		95.0016.21 M60100008		95.0016.21 M60100008		95.0016.53 M60100004		95.0016.53 M60100004	
17	Lüfterraddeckel	95.0017.03 M60200022		95.0017.21 M60200029		95.0017.21 M60200029		95.0017.21 M60200029		95.0017.53 M60200030		95.0017.53 M60200030	
18	Klemmleiste (230 Volt)	95.0018.16 M61100008		95.0018.16 M61100008		95.0018.16 M61100008		-		-		-	
18	Klemmleiste (400 Volt)	95.1018.12 M61100003		95.1018.12 M61100003		95.1018.12 M61100003		95.1018.12 M61100003		95.1018.53 M61100004		95.1018.53 M61100004	
19	Klemmkastendeckel 400 Volt	95.0019.03 M62700008		95.0019.21 M62700006		95.0019.21 M62700006		95.0019.21 M62700006		95.0019.21 M62700006		95.0019.21 M62700006	
20	Spritzring	95.0020.03 M72606000		95.0020.03 M72606000		95.0020.03 M72606000		95.0020.03 M72606000		95.0020.71 M72606001		95.0020.71 M72606001	
21	Selbstsichernde Mutter	95.0021.01 M60513004		95.0021.71 M60513069		95.0021.71 M60513069		95.0021.71 M60513069		95.0021.71 M60513069		95.0021.71 M60513069	
22-23	Kugellager	95.0022.03 M60300002		95.0023.21 M60300003		95.0023.21 M60300003		95.0023.21 M60300003		95.0023.53 M60300004		95.0023.53 M60300004	
24	Alu-Springring	95.0024.03 M60603002		95.0024.21 M60603009		95.0024.21 M60603009		95.0024.21 M60603009		95.0024.53 M60603003		95.0024.53 M60603003	
25	Motorstange	95.0025.03 M75450003		95.0025.33 M75450011		95.0025.33 M75450011		95.0025.33 M75450011		95.0025.53 M75450004		95.0025.53 M75450004	
26	Kondensator	95.0026.03 (31.5 µF) M61400007		95.0026.04 (35 µF) M61400014		95.0026.77 (75 µF) M61400020		-		-		-	
28/29	Einfüll- u. Entl.stopfen	95.0028.01 M75147000		95.0028.01 M75147000		95.0028.01 M75147000		95.0028.01 M75147000		95.0028.01 M75147000		95.0028.01 M75147000	
31	O-Ring-Dichtung	95.0031.65 M60900054		95.0031.65 M60900054		95.0031.65 M60900054		95.0031.65 M60900054		95.0031.65 M60900054		95.0031.65 M60900054	
40	Keil	95.0040.17 M61000001		95.0040.76 M61000002		95.0040.76 M61000002		95.0040.76 M61000002		95.0040.76 M61000002		95.0040.76 M61000002	
62	Kondensator-Klemmkasten (Wechselstrom)	95.0062.03 M62700019P-A		95.0062.76 M62700016P-A		95.0062.76 M62700016P-A		-		-		-	
63	Stützfüßchen	95.0063.28 M72503014		95.0063.08 M75403029		95.0063.08 M75403029		95.0063.08 M75403029		95.0063.03 M75403022		95.0063.03 M75403022	
64	Schraube Stützfüßchen	95.0064.03 M60505028		95.0064.03 M60505028		95.0064.03 M60505028		95.0064.03 M60505028		95.0064.03 M60505028		95.0064.03 M60505028	
65	Sperring	95.0065.03 M60602001											